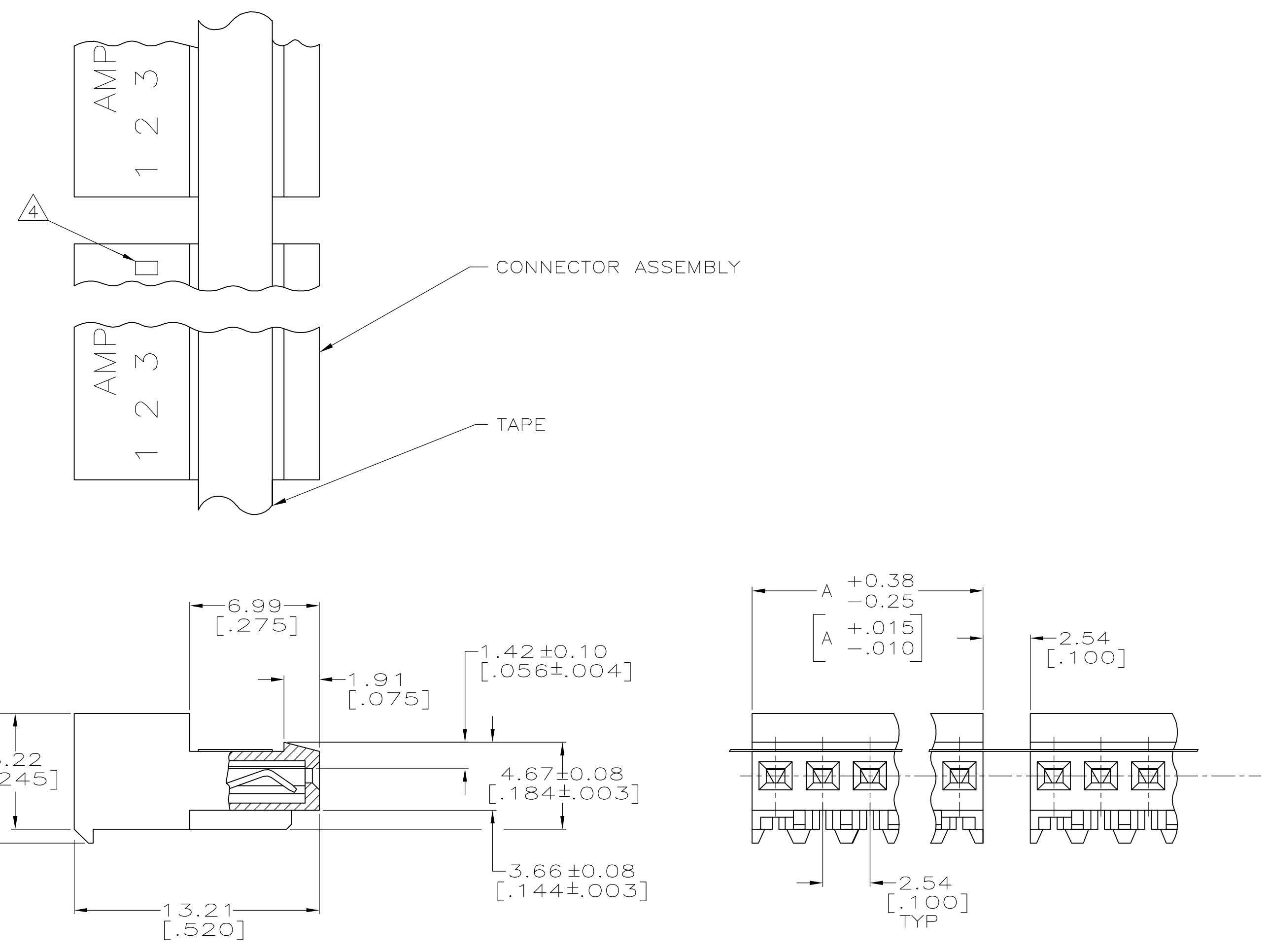


- 1 MATERIAL: CONNECTOR-NYLON UL94V-2 (GREEN).  
 CONTACTS-0.30 [.012] THICK COPPER ALLOY  
 BRIGHT TIN-LEAD 0.00203 [.000080] MINIMUM THICK FOR CONTACTS  
 640471-2 THRU 2-640471-8,  
 MATTE WHISKER MITIGATED TIN PLATE 0.00203 [.000080] MINIMUM THICK OVER  
 NICKEL UNDERPLATE FOR CONTACTS 3-640471-2 THRU 5-640471-8.
2. CONTACTS ACCEPT 28 AWG WIRE WITH 1.52 [.060] MAXIMUM INSULATION DIAMETER.
3. CONTACTS MUST ACCEPT 0.64±0.03 [.025±.001] SQUARE POST AND REMAIN  
 LOCKED IN POSITION.
- 4 IDENTIFICATION NUMBER FOR LAST CIRCUIT MAY NOT APPEAR ON ALL ASSEMBLIES.
5. DIMENSIONS IN BRACKETS ARE IN INCHES.
6. HOUSING FEATURES ARE: CLOSED END WITH LOCKING RAMP.



LEAD FREE	71.12 [2.800]	28	5-640471-8
	68.58 [2.700]	27	5-640471-7
	66.04 [2.600]	26	5-640471-6
	63.50 [2.500]	25	5-640471-5
	60.96 [2.400]	24	5-640471-4
	58.42 [2.300]	23	5-640471-3
	55.88 [2.200]	22	5-640471-2
	53.34 [2.100]	21	5-640471-1
	50.80 [2.000]	20	5-640471-0
	48.26 [1.900]	19	4-640471-9
	45.72 [1.800]	18	4-640471-8
	43.18 [1.700]	17	4-640471-7
	40.64 [1.600]	16	4-640471-6
	38.10 [1.500]	15	4-640471-5
	35.56 [1.400]	14	4-640471-4
	33.02 [1.300]	13	4-640471-3
	30.48 [1.200]	12	4-640471-2
	27.94 [1.100]	11	4-640471-1
	25.40 [1.000]	10	4-640471-0
	22.86 [.900]	9	3-640471-9
20.32 [.800]	8	3-640471-8	
17.78 [.700]	7	3-640471-7	
15.24 [.600]	6	3-640471-6	
12.70 [.500]	5	3-640471-5	
10.16 [.400]	4	3-640471-4	
7.62 [.300]	3	3-640471-3	
5.08 [.200]	2	3-640471-2	
DIM A	NO.OF POSN	ASSEMBLY	

CONTAINS LEAD	71.12 [2.800]	28	2-640471-8
	68.58 [2.700]	27	2-640471-7
	66.04 [2.600]	26	2-640471-6
	63.50 [2.500]	25	2-640471-5
	60.96 [2.400]	24	2-640471-4
	58.42 [2.300]	23	2-640471-3
	55.88 [2.200]	22	2-640471-2
	53.34 [2.100]	21	2-640471-1
	50.80 [2.000]	20	2-640471-0
	48.26 [1.900]	19	1-640471-9
	45.72 [1.800]	18	1-640471-8
	43.18 [1.700]	17	1-640471-7
	40.64 [1.600]	16	1-640471-6
	38.10 [1.500]	15	1-640471-5
	35.56 [1.400]	14	1-640471-4
	33.02 [1.300]	13	1-640471-3
	30.48 [1.200]	12	1-640471-2
	27.94 [1.100]	11	1-640471-1
	25.40 [1.000]	10	1-640471-0
	22.86 [.900]	9	640471-9
20.32 [.800]	8	640471-8	
17.78 [.700]	7	640471-7	
15.24 [.600]	6	640471-6	
12.70 [.500]	5	640471-5	
10.16 [.400]	4	640471-4	
7.62 [.300]	3	640471-3	
5.08 [.200]	2	640471-2	
DIM A	NO.OF POSN	ASSEMBLY	

# METRIC

THIS DRAWING IS A CONTROLLED DOCUMENT.

DIMENSIONS: mm [NCHES]	TOLERANCES UNLESS OTHERWISE SPECIFIED:	0. PLC ±	1. PLC ±	2. PLC ± 0.13 [.005]	3. PLC ±	4. PLC ±	ANGLES ±	FINISH

DWN S. HOOVER 10-DEC-2004	tyco	Tyco Electronics Corporation
CHK D. BOSSI 10-DEC-2004	Electronics	Harrisburg, Pa 17105-3608
APVD D. BOSSI 10-DEC-2004	NAME	MTA-100 CONNECTOR ASSEMBLY, 28 AWG, TAPE MOUNTED, STANDARD
	PRODUCT SPEC	108-1050
	APPLICATION SPEC	114-1019
	SIZE	A1
	CAGE CODE	00779
	DRAWING NO	640471
	RESTRICTED TO	
	WEIGHT	
	CUSTOMER DRAWING	SCALE 5:1
		SHEET 1 OF 1
		REV U